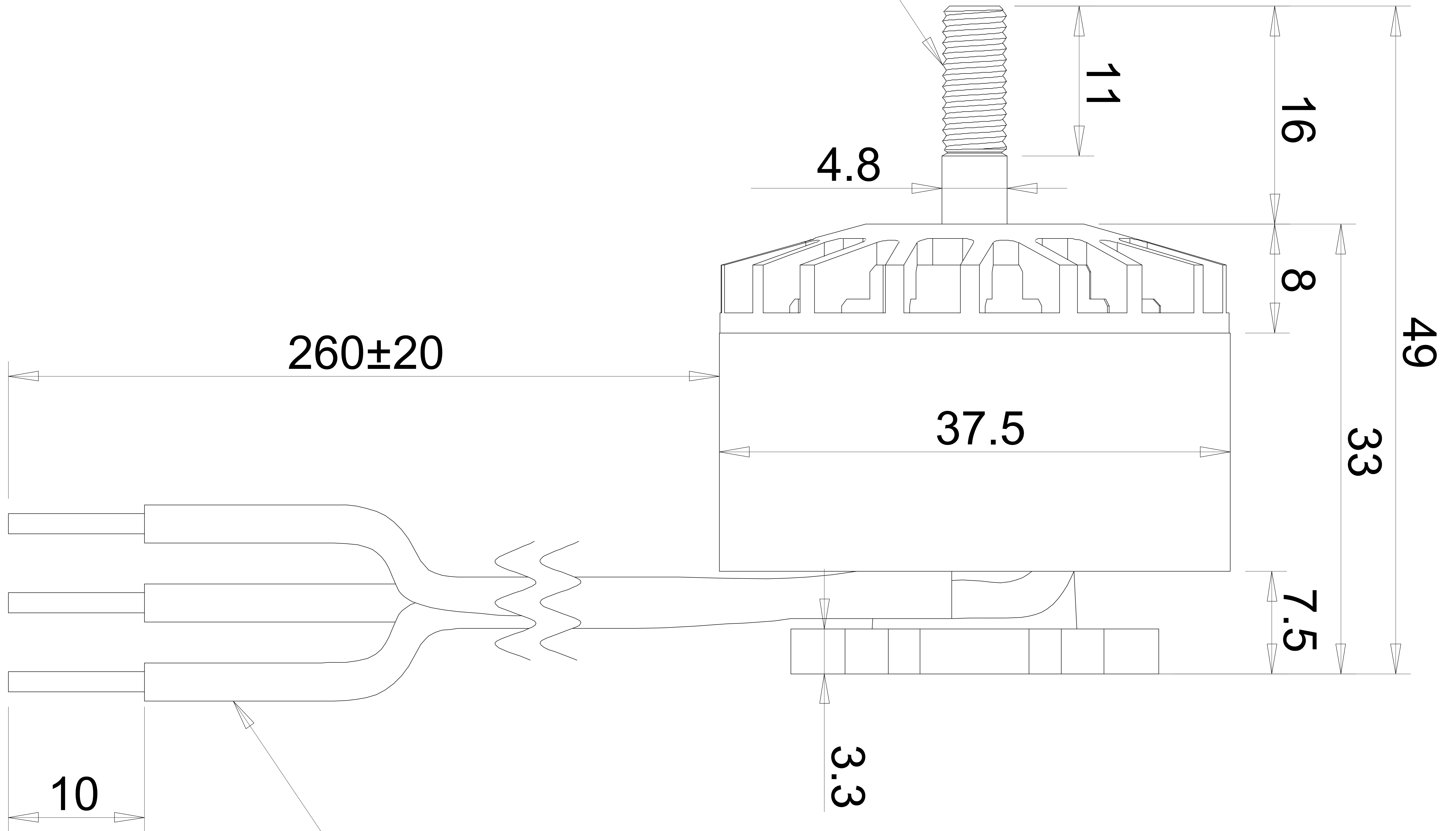


M5\*0.8P



UL3135 AWG14